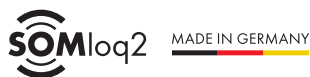




The operator unit of the SP 900 is integrated into the post of the sliding gate. This makes the operator invisible and gives the sliding gate an uncluttered look. The SP 900 is flexible, rugged, and also suitable for industrial door systems. For sliding gates with a movement range of up to 12 m and a gate weight of up to 400 kg.



Bidirectional radio system



128-bit AES encryption with Rollingcode



Disturbance-resistant radio signal



Connection for battery pack



Energy-efficient consumption on standby



Supports service interface SOMlink S2

## Technical Data

Type	SP 900	S 900
Gate weight max.	400 kg	400 kg
Max. travel path	12,000 mm	12,000 mm
Max. gate inclination	3.5 %	3.5 %
Max. opening speed	285 mm/s	285 mm/s
Max. torque	10 Nm	10 Nm
Power consumption (standby)	0.5 W	0.5 W
Rated voltage range 1	220-240 V	220-240 V
Rated frequency	50-60 Hz	50-60 Hz
Temperature min.	-20 °C	-20 °C
Temperature max.	60 °C	60 °C
Protection class	IP44	
Radio system	SOMloq2	SOMloq2
Radio frequency	868.95 MHz	868.95 MHz
Radio memory locations	40	40

## Connections

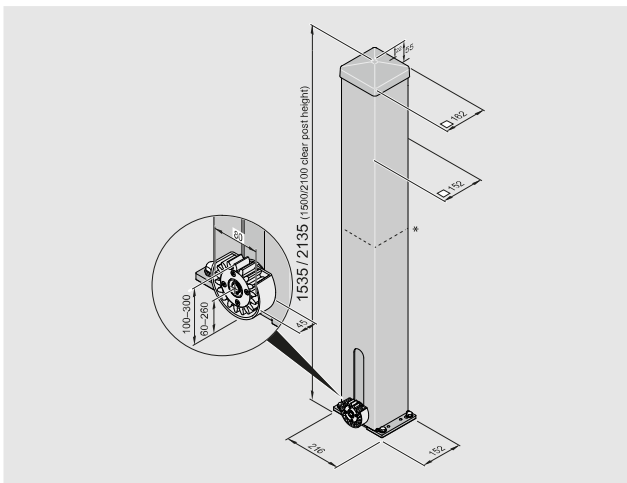
✓ Battery pack slot	✓ Integrated timer input
✓ Button connection	✓ Memo slot
✓ Connection of 2-wire photocell	✓ Potential-free relay contact
✓ Connection of 4-wire photocell	✓ Terminal for safety contact strip
✓ DC output	✓ Warning light connection
✓ Emergency STOP connection	

## Functions

- ✓ Adjustable safety connection
- ✓ Automatic closing
- ✓ Control unit parametrisable: Torminal
- ✓ Dead-man function
- ✓ Defined OPEN/CLOSE, button
- ✓ Defined OPEN/CLOSE, radio
- ✓ Lighting function

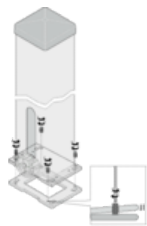
- ✓ Partial opening, button
- ✓ Partial opening, radio
- ✓ Pre-warning time adjustable
- ✓ Pulse mode, button
- ✓ Pulse mode, radio
- ✓ Soft start/soft stop

## Dimension drawing



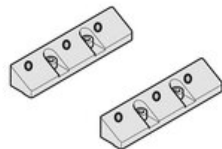
All dimensions are in millimetres.

## Matching accessories



**Levelling plate in set**

14038V000



**Clamping claw set**

3701V000



**Battery pack | With connection cable for battery pack length 780 mm**

Emergency power supply

S13681-00001



**Installation plate for SP 900**

3707V000

Sliding gate operator

SP 900



Plastic rack with steel core

S11114-00001



Safety contact strip, electrical, 8.2 kOhms (H 45 mm)

S12379-00001



End cap (H 45 mm)

S12380-00001



End cap (H 45 mm)

S12381-00001