



The GIGAslide sliding gate operator is ideal both for residential properties and industrial door systems. With a movement range of up to 18 m and a gate weight of 1,800 kg, the operator offers versatile usage options for a widely varied range of requirements. In use here is an industrial door operator with integrated frequency converter and the GIGAcontrol A automatic control unit. The electric motor ensures long life and low-vibration and low-noise operation in all installation positions.



Bidirectional radio system



128-bit AES encryption with Rollingcode



Disturbance-resistant radio signal

## Technical Data

Type	GIGAslide 1800
Gate weight max.	1,800 kg
Max. travel path	18,000 mm
Max. gate inclination	
Max. opening speed	240 mm/s
Max. torque	120 Nm
Power consumption (standby)	13 W
Rated voltage range 1	220-240 V
Rated frequency	50-60 Hz
Temperature min.	-25 °C
Temperature max.	65 °C
Protection class	IP44
Radio system	SOMloq2
Radio frequency	868.95 MHz
Radio memory locations	40



Active safety contact strips must be used on the main and auxiliary closing edges. Sliding gates must not be operated together with the GIGAslide without active safety contact strips! In the case of gates with a weight exceeding 600 kg, operation is only permissible with steel racks.

## Connections

- ✓ Button connection
- ✓ Connection for traffic light module / two-way traffic control
- ✓ Connection of 2-wire photocell
- ✓ Connection of 4-wire photocell
- ✓ DC output
- ✓ Emergency OFF connection

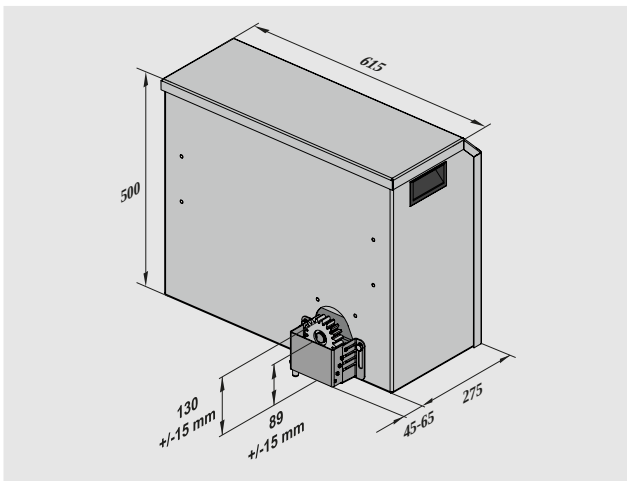
- ✓ Emergency STOP connection
- ✓ Induction loop module connection
- ✓ Memo slot
- ✓ Potential-free relay contact
- ✓ Terminal for safety contact strip
- ✓ Warning light connection

## Functions

- ✓ Adjustable safety connection
- ✓ Automatic closing
- ✓ Control unit parametrisable: Menu guided
- ✓ Dead-man function
- ✓ Defined OPEN/CLOSE, button
- ✓ Defined OPEN/CLOSE, radio

- ✓ Partial opening, radio
- ✓ Pre-warning time adjustable
- ✓ Pulse mode, button
- ✓ Pulse mode, radio
- ✓ Soft start/soft stop

## Dimension drawing



All dimensions are in millimetres.

Matching accessories



Steel rack, galvanised

S12374-00001



Extraction tool for GIGAslide

S13749-00000



Safety contact strip, electrical, 8.2 kOhms (H 85 mm)

S12385-00001



End cap (H 85 mm)

S12386-00001



End cap (H 85 mm)

S12387-00001



junction box

50046



One-way photocell, can rotate 180°, 4-wire

7029V000



Memo

Memory extension

10373