

# One-way photocell, can rotate 180°, 2-wire



S13494-00001



The 20-metre one-way photocell uses the SOMMER 2-wire system. Only two wires are required on the transmitter and the receiver side, while the polarity is optional. The fact that the board is rotatable through 180° means additional installation options, and no mounting brackets are required. And with IP code IP55, it is suitable for outdoor use.

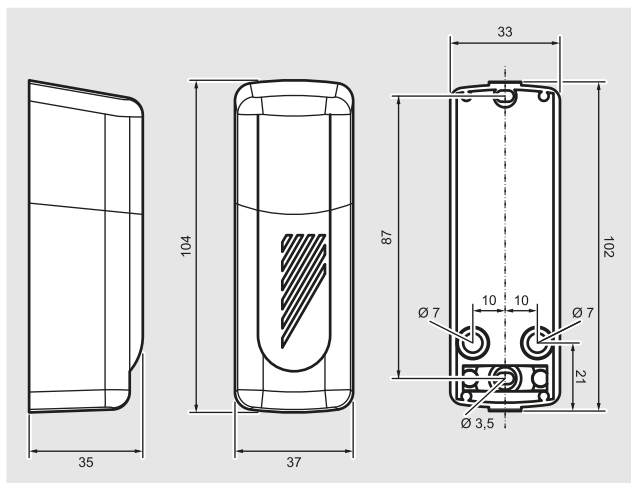
**One-way photocell, can rotate 180°, 2-wire ►**



## Technical data

Type	One-way photocell, can rotate 180°, 2-wire
Part size	104x37x35 mm

## Dimension drawing



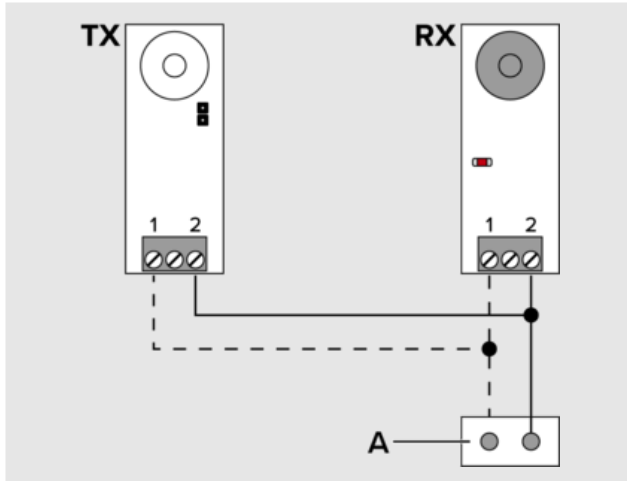
All dimensions are in millimetres.

# One-way photocell, can rotate 180°, 2-wire



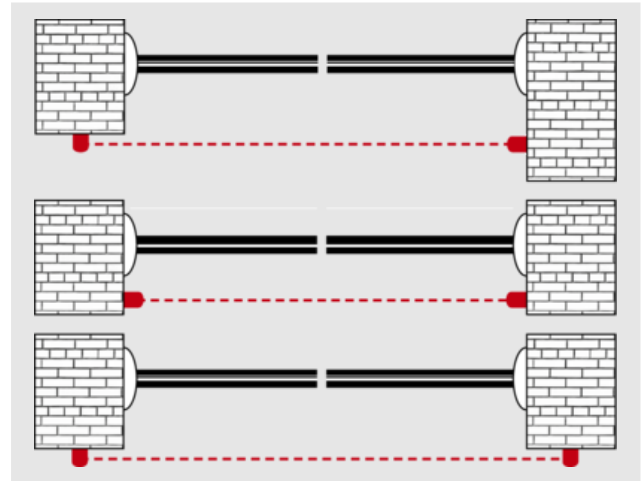
S13494-00001

## Connection diagram



A: Control unit or operator from SOMMER.

## Installation examples



## Product views



The board can be rotated by 180 degrees. No additional mounting brackets are required.

## Downloads

	Filename	Filetype
	Assembly Instructions <a href="#">Lichtschanke_S13494-00001_090222_IT-GB-FR-DE-ES-HU-PL.PDF</a> ►	pdf

# One-way photocell, can rotate 180°, 2-wire



S13494-00001

## Matching accessories



**Connection cable**

80134



**Columns for photocells**

S11059-00001