



[www.sommer.eu](http://www.sommer.eu)



twist M S3 black

**Operators for  
gates with style**

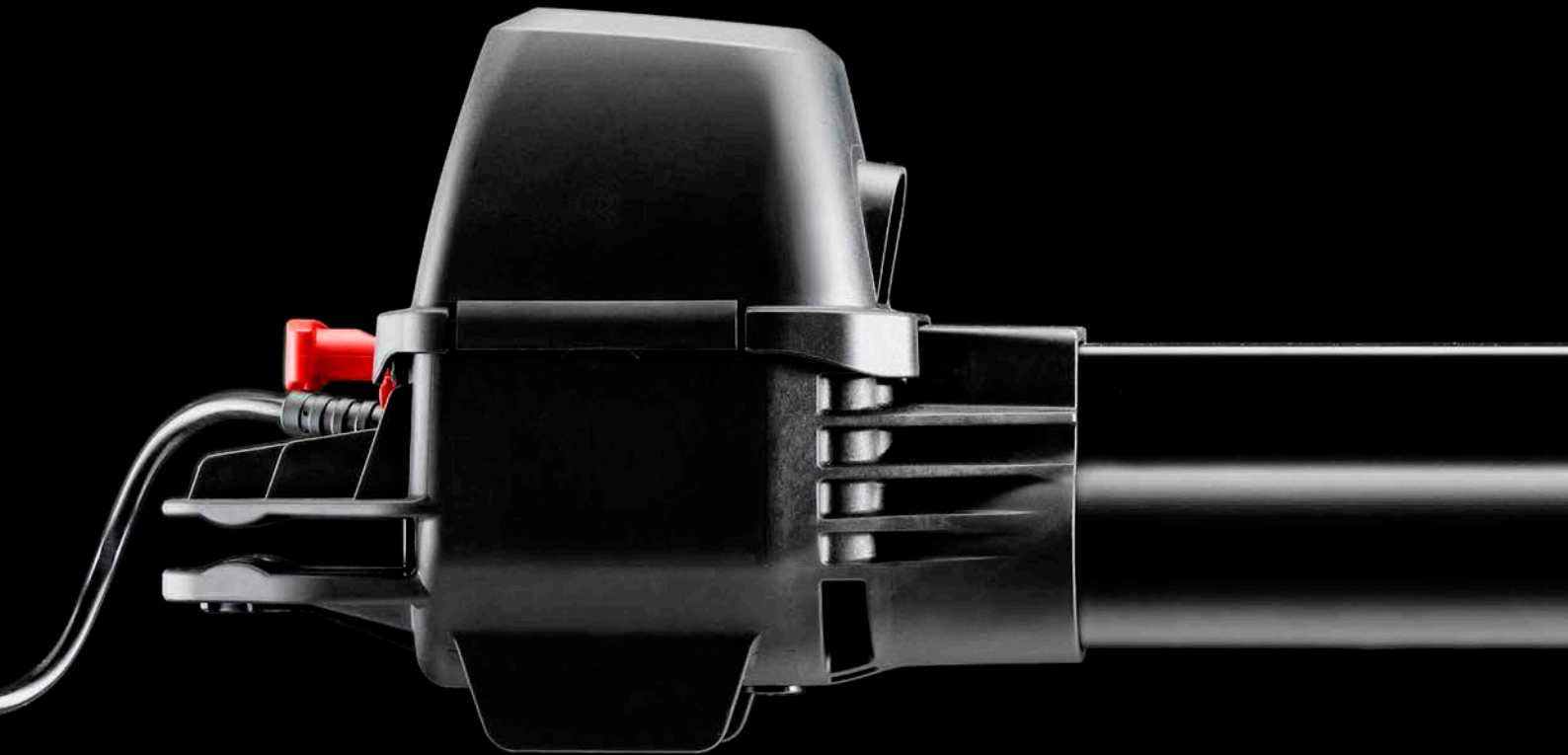
---

## Flexible

- › Can be used universally for DIN left and DIN right
- › 1- and 2-leaf operation
- › With special fittings, also suitable for outward-opening gates
- › Microprocessor control unit with a wide variety of setting options, such as pedestrian leaf function, automatic closing of the gate, adjustable pre-warning time, adjustable behaviour when encountering an obstacle (complete or partial reversion of the gate)
- › Fast installation and easy electrical connection
- › Attachment dimensions identical to the twist 200 E/EL facilitate conversion.

## Secure

- › Self-locking without electric lock
- › Accident prevention by means of electronically-regulated force measurement with DPS (Dynamic Power System)
- › Operator can be manually unlocked in any position (e.g. in the event of a power failure), optionally via a Bowden wire from outside
- › Connections for safety devices, such as warning light and photocell (4-wire) as well as for an external device (DC 24 V), potential-free relay contact



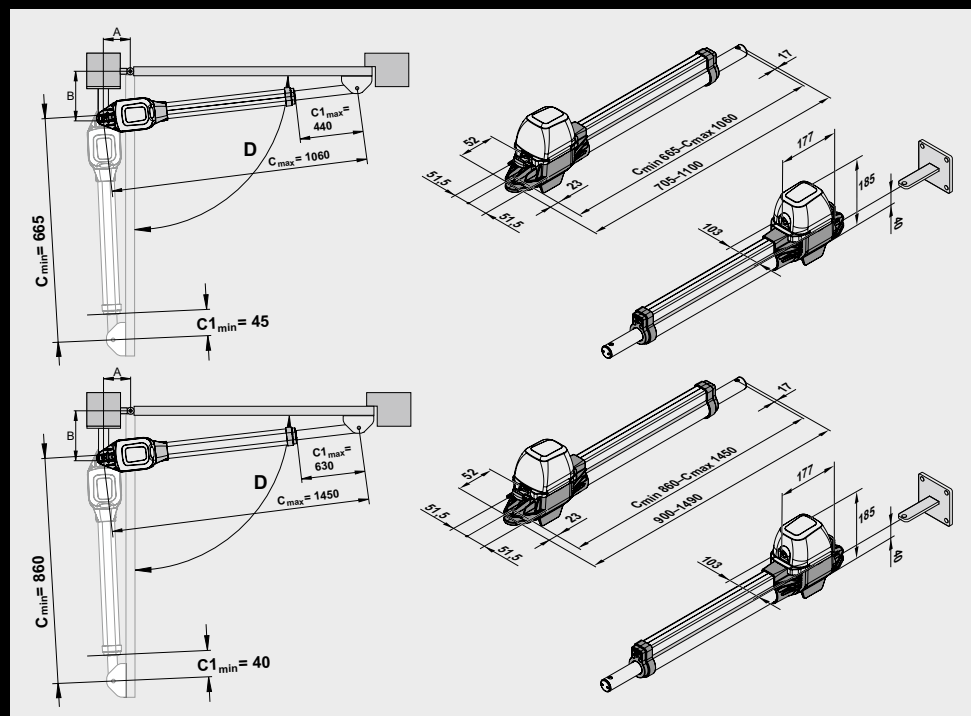
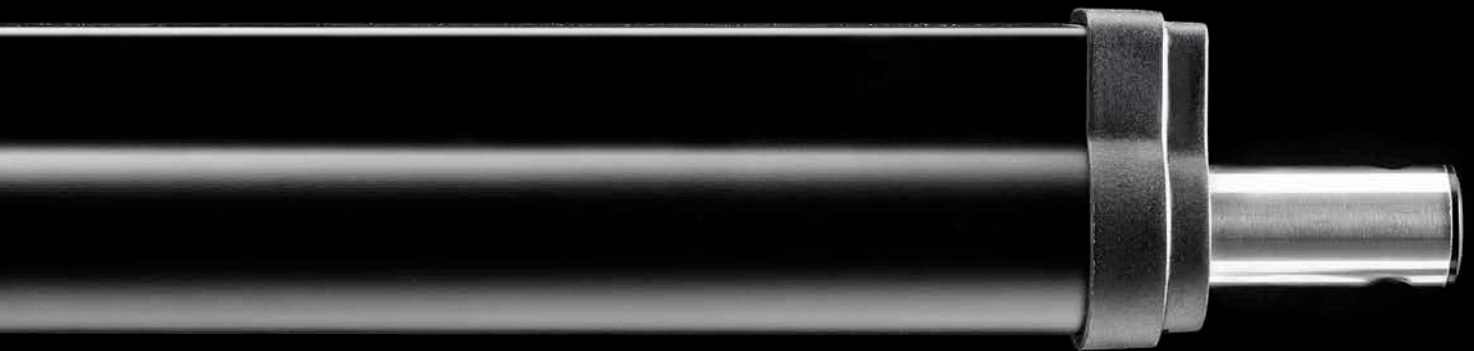
With black, powder-coated post and gate wing fittings

## Innovative

- › Compact design
- › Controlled soft run in ramp form without power loss ensures movement which is easy on the gate

## Advantages of the longer travel length of the twist ML

- › Operator can be mounted on very wide brick posts
- › Operator can be installed at an incline to the gate
- › Operator can achieve opening angle of up to 130°
- › Through the inclined position, the operator can provide a higher force when the gate is closed so that breaking in or unauthorised opening can be made even more difficult



Above:  
Dimensional drawing twist M S3 black

Below:  
Dimensional drawing twist ML S3 black

Type	twist M S3 black	twist M <sup>+</sup> S3 black	twist ML S3 black	twist ML <sup>+</sup> S3 black
Max. gate leaf weight	300 kg	300 kg	300 kg	300 kg
Max. gate leaf width	2.500 mm	2.500 mm	2.500 mm	2.500 mm
Max. gate inclination <sup>1)</sup>	10 %	10 %	10 %	10 %
Max. gate filling <sup>2)</sup>	100 %	100 %	100 %	100 %
Rated voltage	AC 100–240 V	AC 100–240 V	AC 100–240 V	AC 100–240 V
Rated frequency	50/60 Hz	50/60 Hz	50/60 Hz	50/60 Hz
Motor voltage	DC 24 V	DC 24 V	DC 24 V	DC 24 V
Max. feed speed	16,5 mm/s	19,2 mm/s	16,5 mm/s	19,2 mm/s
Max. opening angle	120°	120°	130°	130°
Radio channels	2	2	2	2
Duty cycle	DC 15 % S3	DC 15 % S3	DC 15 % S3	DC 15 % S3
IP code operator	IP44	IP44	IP44	IP44
IP code control unit	IP65	IP65	IP65	IP65
Min. temperature	-25 °C	-25 °C	-25 °C	-25 °C
Max. temperature	+65 °C	+65 °C	+65 °C	+65 °C

1) In combination with special fittings, complies with the standards and directives listed in the Declaration of incorporation, particularly DIN EN 13241.

2) Depending on the gate width and height.



For the Plus operators, the use of active safety contact strips is mandatory in compliance with the norms and standards listed in the Declaration of incorporation, particularly DIN EN 13241.



#### Germany (Head Office)

SOMMER Antriebs- und  
Funktechnik GmbH  
Hans-Böckler-Straße 27  
73230 Kirchheim unter Teck  
Germany  
info@sommer.eu  
www.sommer.eu

#### Great Britain

SOMMER DOCO  
Unit 9 Logic, Kingsway Business Park,  
Charles Babbage Avenue  
Rochdale OL16 4NW  
England  
sales@doco-international.com  
www.sommer.eu