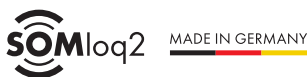




The operator unit of the SP 900 is integrated into the post of the sliding gate. This makes the operator invisible and gives the sliding gate an uncluttered look. The SP 900 is flexible, rugged, and also suitable for industrial door systems. For sliding gates with a movement range of up to 8 m and a gate weight of up to 400 kg.

Operator unit SP 900 ►



Bidirectional radio system



128-bit AES encryption with Rollingcode



Disturbance-resistant radio signal



Connection for battery pack



Energy-efficient consumption on standby



Supports service interface SOMlink S2

Technical Data

Type	Operator unit SP 900
Gate weight max.	400 kg
Max. travel path	8,000 mm
Max. gate inclination	3.5 %
Max. opening speed	285 mm/s
Max. torque	10 Nm
Power consumption (standby)	0.5 W
Rated voltage range 1	220-240 V

Type	Operator unit SP 900
Rated frequency	50-60 Hz
Temperature min.	-20 °C
Temperature max.	60 °C
Protection class	IP44
Radio system	SOMloq2
Radio frequency	868.95 MHz
Radio memory locations	40

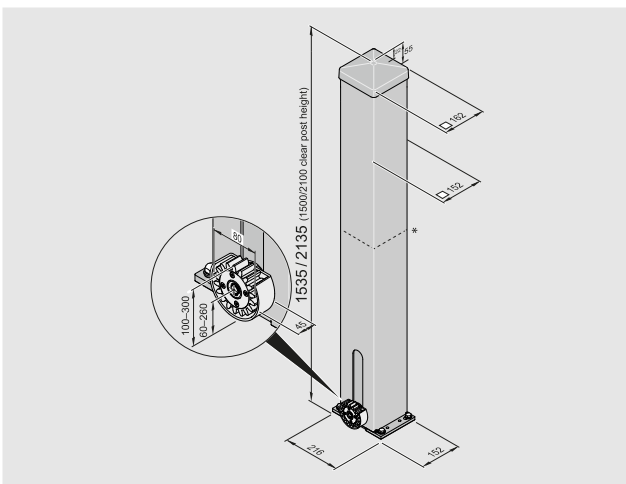
Connections

- ✓ Button connection
- ✓ Emergency OFF connection
- ✓ Integrated timer input
- ✓ Potential-free relay contact
- ✓ Terminal for safety contact strip
- ✓ Warning light connection

Functions



- ✓ Adjustable safety connection
- ✓ Automatic closing
- ✓ Dead-man function
- ✓ Defined OPEN/CLOSE, radio
- ✓ Partial opening, button
- ✓ Partial opening, radio
- ✓ Pre-warning time adjustable
- ✓ Soft start/soft stop

Dimension drawing



All dimensions are in millimetres.

Downloads

	Filename	Filetype
	Assembly Instructions SP-900_46771V001_EN.pdf ▶	pdf
	CadData CAD_SP-900.zip ▶	zip

Required accessories



Post unit SP 900

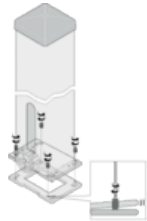
3712V000



Post unit SP 900

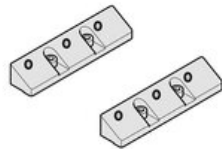
3710V000

Matching accessories



levelling plate kit

14038V000



tensing bracket set

3701V000



Battery pack incl. 780mm connection cable

Emergency power supply

S13681-00001



Installation plate for SP 900

3707V000