

2-channel radio receiver

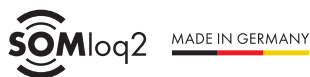
# SOMcom2.1

S13611-00001



- Simple conversion of external operators and easy changing of the radio frequency
- Suitable for special applications (not suitable as tubular motor controller)
- 1 input for door status, to make non-compatible operators compatible with SOMweb
- Feedback of the status of a sensor connected to the input or the status of ... **For more information ▼**

**SOMcom2.1 ▶**



Bidirectional radio system



Disturbance-resistant radio signal



128-bit AES encryption with Rollingcode

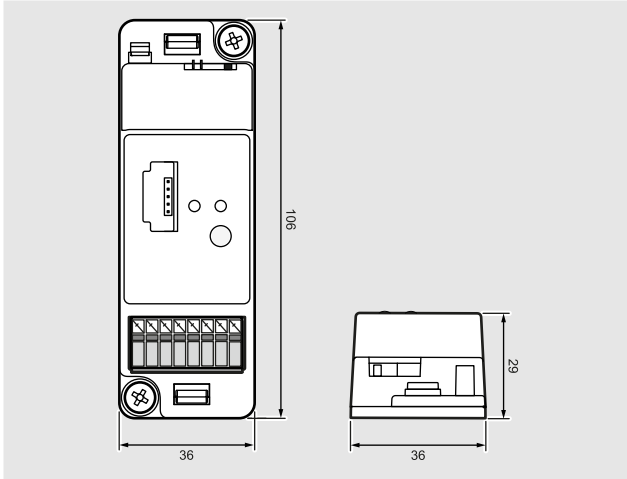


Supports service interface SOMlink S2

## Technical Data

|                          |              |
|--------------------------|--------------|
| Type                     | SOMcom2.1    |
| Radio system             | SOMloq2      |
| Radio frequency          | 868.95 MHz   |
| Radio memory locations   | 40           |
| Number of radio channels | 2            |
| Rated voltage range 1    | 12-24 V      |
| Temperature min.         | -25 °C       |
| Temperature max.         | 65 °C        |
| Dimensions               | 106x36x29 mm |

## Dimension drawing



All dimensions are in millimetres.

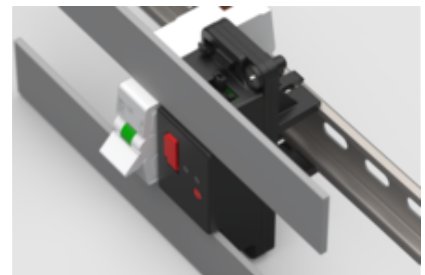
## Product views



Slot with forced guidance for the Memo memory extension.



Connection for an external antenna.



SOMcom2.1 with DIN rail adapter

## Downloads

|  | Filename   | Filetype |
|--|--|----------|
|  | Assembly Instructions<br><a href="#">SOMcom2.1_S14058-00000_452023_0-DRE_Rev-A.pdf</a> ▶ | pdf      |

2-channel radio receiver

# SOMcom2.1

S13611-00001



## Matching accessories



**2-channel radio receiver**

Housing

S12959-00001



**SOMcom2.1 rail adaptor**

S13614-00001



**Antenna adaptor**

S14153-00001



**Memo**

Memory extension

10373



**Rod antenna with 10 m cable**

7004V000



**Sensor for gate position not passable**

S14089-00001



**Sensor for gate position passable**

S14089-00002